



Wieländer+Schill
Professionelle Karosserie-Spezialwerkzeuge



AUTO BODY EQUIPMENT

17 The Boulevard
Te Rapa, Hamilton
New Zealand

Ph: 07 849 3514
Email: office@abe.co.nz
Web: www.abe.co.nz

MEC600[®]



OEM - approval

**Made in
Germany**

Metal Edge Cutter

MEC600®



wheel arches

car tops

- two milling depths - 0,8 mm for steel and 1,2 mm for aluminium sheets (max.)
- variable angel positions enable a **generally car type application**
- innovative tungsten carbide special milling cutter
- high work process-secure
- **no flying sparks****
- no heat treatment on the car body necessary
- quick tool change

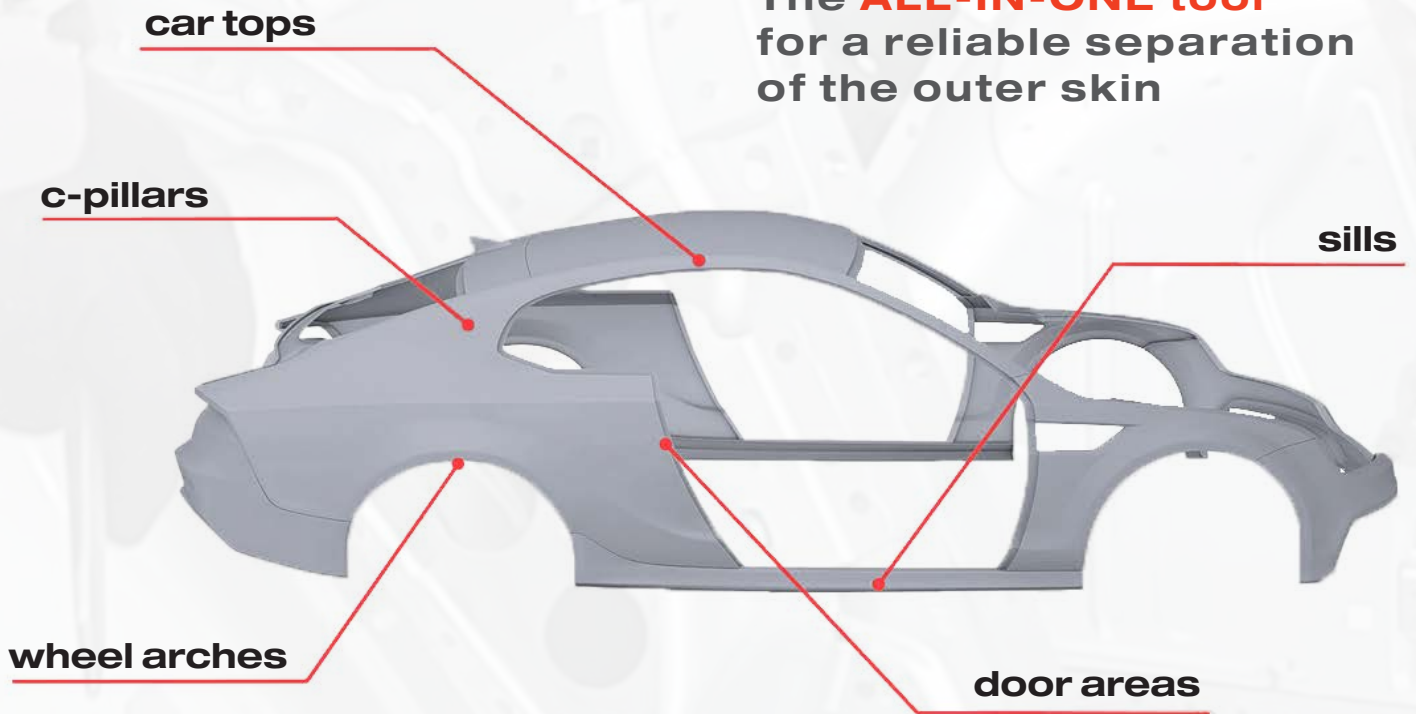
NEW



* LSN = Laser welding seams
** when used with a high performance cutting oil

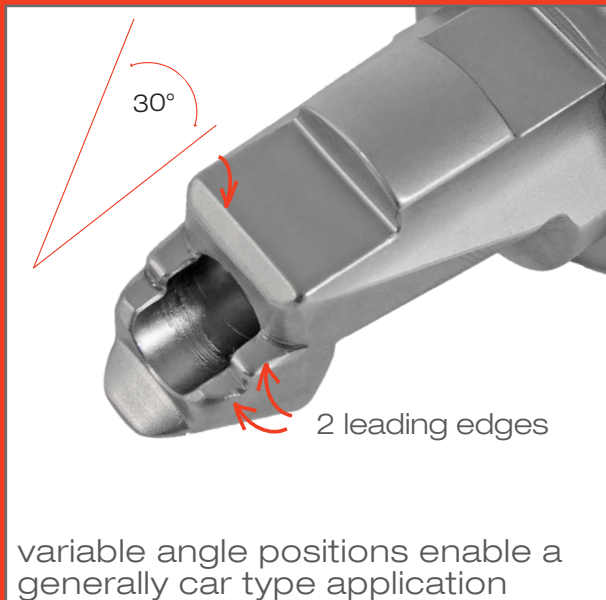


The **ALL-IN-ONE tool**
for a reliable separation
of the outer skin



sills / rocker panels

pillars



**BUNDESPREIS
2019**

für hervorragende
innovatorische Leistungen
für das Handwerk



tech. Data

pressure:	6,3 bar max.
power:	600W
speed:	20.000 rpm
noise:	77dB(A)
vibration:	3.6m/s ²
hose length:	3100 mm
weight:	2,05 kg

scope of delivery:

- 1 x basic unit pneum. cpl.
- 1 x metal edge tool MEC600
- 1 x locking nut MEC600
- 1 x HM flat head cutter Long Life
- 1 x Setting gauge MEC600
- 1 x protective cap
- 1 x allen key
- 1 x instruction manual

Item N° 640080



Depth adjustment gauge
for an optimum milling depth

metal sheet thickness 0,6-1,5 mm



Item N° 640052

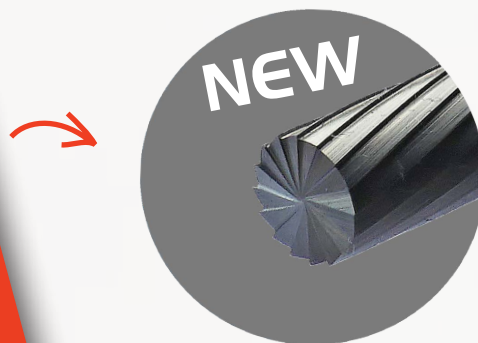


milling cutter **Long Life**



Cutter tip with innovative cutting geometry

Ø 6 x 95 mm
Item N° 640063



milling cutter **ALU**



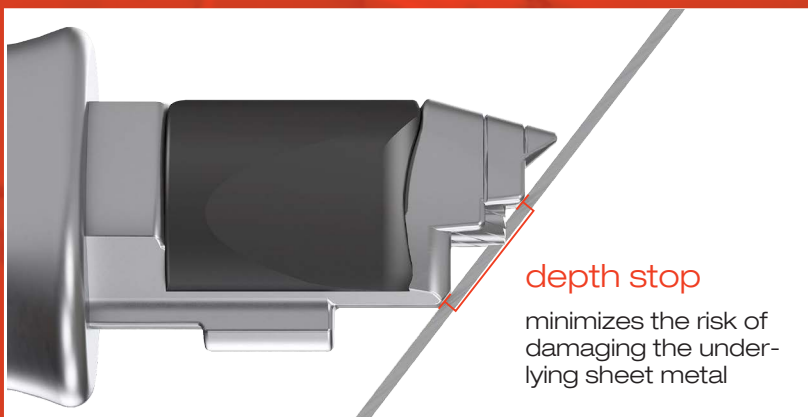
Ø 6 x 95 mm
Item N° 640062

milling cutter LSN*



*LSN = Laser welding seams

Ø 6 x 95 mm
Item N° 640069



depth stop
minimizes the risk of
damaging the under-
lying sheet metal

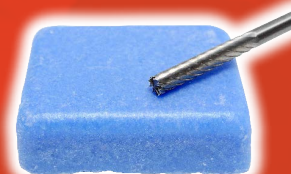


BTR-Fluid 125 ml



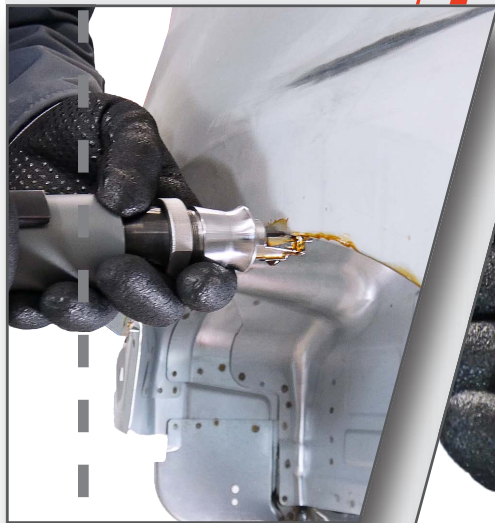
Item N° 628000

Drill WAX lubricant 65g for ALU-mills



Item N° 640067

APPLICATION



MEC600 has been developed for the reliable separation of welding seams and the precise removal of outer skin.

