

MINI BENCHES AND LIFTS

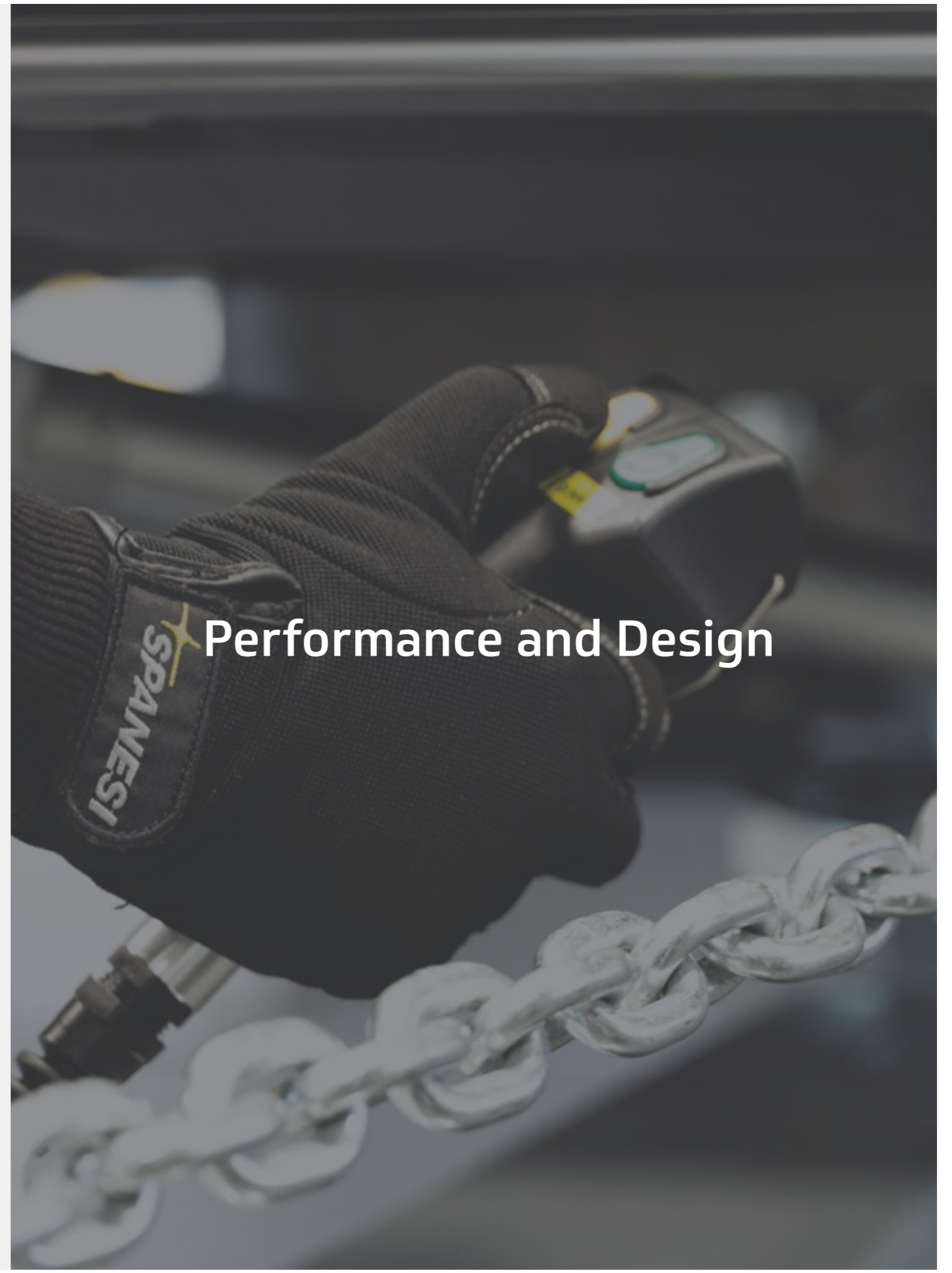


 **SPANESI**®

INDEX

Minibench	6
Ponybench BT Plus	18
Lifts	26

Performance and Design



MINIBENCH

Smart. Fast.
Powerful.



MINIBENCH

Small and medium damage

The Minibench is designed to repair small and medium damage with maximum speed and ease.

Sturdy and compact, it occupies very little space inside the bodyshop.

Lifting and repairing any vehicle

The Minibench can be used for most vehicles, including commercial vehicles, SUVs and 4x4s.

It can be used as a lift or straightening bench, with a 6 ton pull column capable of delivering 360° pulls around the entire vehicle. Incorporating the Touch electronic system for precise structural measurements adds additional speed and accuracy to each repair performed back to the vehicle's OEM specifications.

Given its versatility, it is a bench that is used daily.



Lift



Repair



Repair with Touch





FOCUS POINTS

01 — **FAST, EASY AND UNIVERSAL**
Perfect for small and medium damage

02 — **COMPACT AND RUGGED**
Requires very little spaces

03 — **NO HARD EDGES**
Rounded corners
Eliminates vehicle damage during loading

04 — **FAST LOADING OF THE VEHICLE**
Low profile floor plates
Always attached to the bench

05 — **MULTIPLE USES**
Lift
Repair
Repair with Touch



FOCUS POINTS

06 ———
CLAMP ATTACHMENT WITHOUT USING TROLLEYS
 Universal clamps
 OEM Specific clamps

07 ———
PULLING COLUMN
 Safe and automatic bench connections
 360° Pulling
 Multiple pulling directions
 Powerful 6 ton capacity

08 ———
TOUCH ACCURACY
 For even faster and more precise repairs
 Real time measuring during pulling process

MINIBENCH

Front pulling column insertion location

LOAD CAPACITY	2200 kg
LENGTH	2065 mm
LIFTING HEIGHT	1350 mm
MINIMUM HEIGHT	100 mm
PULLING FORCE	6 Ton

MINIBENCH DT

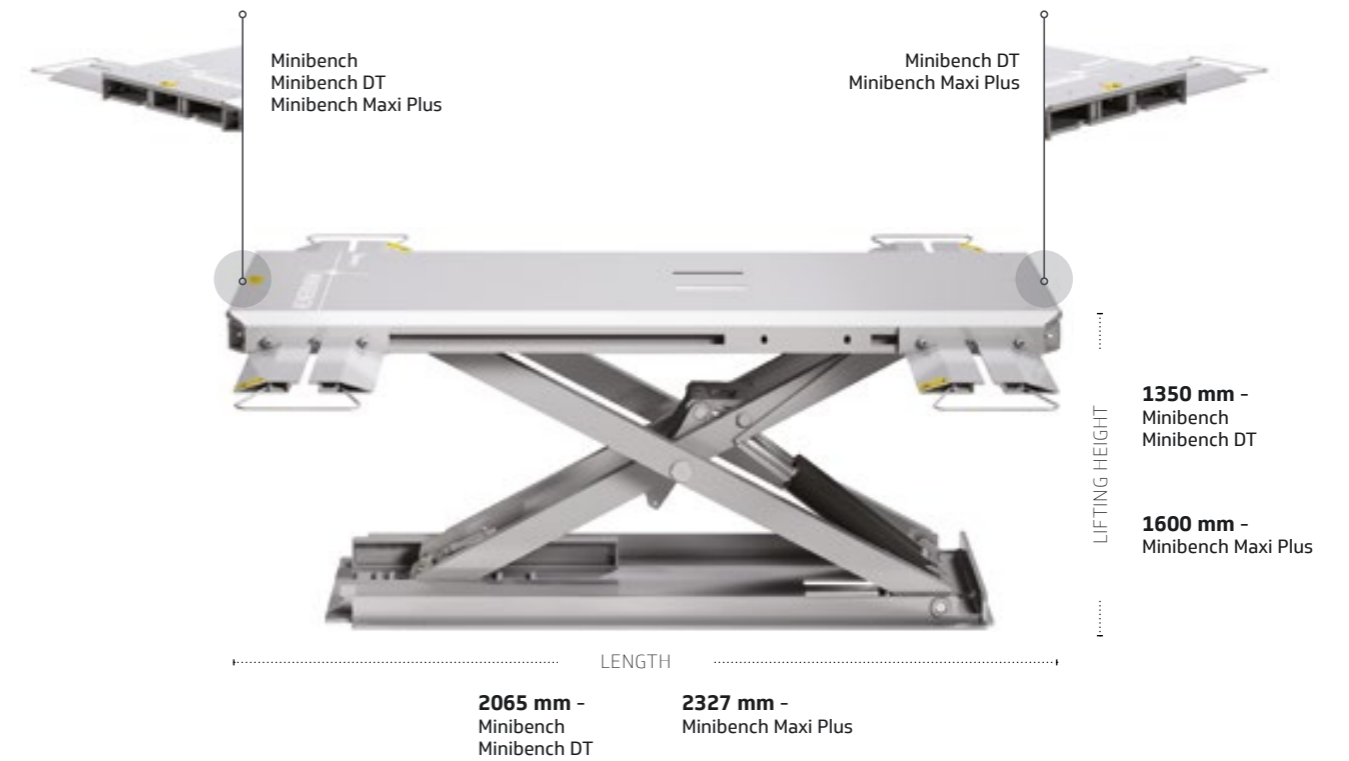
Front and back pulling column insertion locations

LOAD CAPACITY	2200 kg
LENGTH	2065 mm
LIFTING HEIGHT	1350 mm
MINIMUM HEIGHT	100 mm
PULLING FORCE	6 Ton

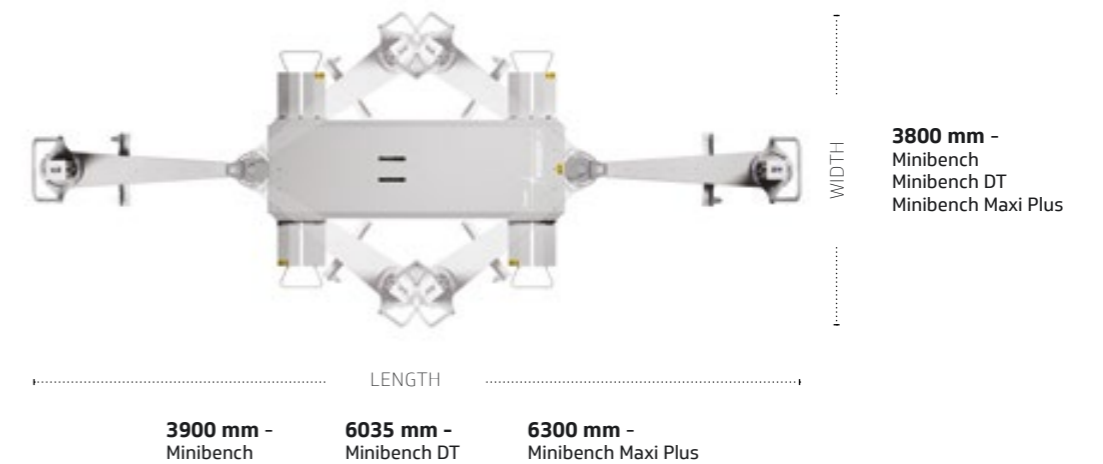
MINIBENCH MAXI PLUS

Front and back pulling column insertion locations

LOAD CAPACITY	3500 kg
LENGTH	2327 mm
LIFTING HEIGHT	1600 mm
MINIMUM HEIGHT	108 mm
PULLING FORCE	6 Ton



PULLING COLUMN FOOTPRINT





**STANDARD
INCLUDED
ITEMS**

**Minibench
Minibench DT
Minibench Maxi Plus**

Pantograph electro-hydraulic lift



Pulling column



Control box



Electro-hydraulic unit located away from the bench for easy access.

Rugged and tough, for 360° pulling.

4 Sliding side floor plates



Moveable sliding plates to adjust for different length vehicles.

4 Support buffers



For lifting.

4 Universal clamps



For repairing.

PONYBENCH BT PLUS

Below floor level

The Ponybench BT Plus is the hidden mini bench that allows you to make the most of the space inside of the bodyshop.

When it's not in use, the Ponybench BT Plus disappears into the floor entirely, allowing the area to be used for vehicles in other phases of the repair process.

Lifting and repairing small and medium damage

Fast and efficient multi-purpose bench with a capacity of 3000kg, making it suitable for most types of vehicles.

Designed to be used as lift or a bench in order to quickly repair small and medium damage. Incorporate the Touch electronic system to allow increased repair efficiencies and improved accuracy to OEM specifications.



Lift



Repair



Repair with Touch



PONYBENCH BT PLUS

Front and back pulling column insertion locations

LOAD CAPACITY	3000 kg
LENGTH	2210 mm
LIFTING HEIGHT	1450 mm
PULLING FORCE	6 Ton



PULLING COLUMN FOOTPRINT





**STANDARD
INCLUDED
ITEMS**

Ponybench BT Plus

Pantograph electro-hydraulic lift



Pulling column



Control box



Electro-hydraulic unit located away from the bench for easy access.

Rugged and tough, for 360° pulling.

Automatic bench arms



Automatic opening and closing.

4 Support buffers



For lifting.

Kit of Universal / Adjustable Clamps



For repairing.

MINI ECO

Pneumo-hydraulic lift with:

- Pneumatic pump;
- Pneumatic arms;
- Adjustable support buffers.

LOAD CAPACITY	2200 kg
LENGTH	1650 mm
WIDTH	700 mm
MINIMUM HEIGHT	110 mm
LIFTING HEIGHT	1250 mm



PONYBENCH BE PLUS

Electro-hydraulic lift with:

- Control Box;
- Pneumatic arms;
- Support buffers.

LOAD CAPACITY	3000 kg
LENGTH	2210 mm
WIDTH	700 mm
LIFTING HEIGHT	1450 mm



PONYBENCH BE 15

Electro-hydraulic lift with:

- Control Box;
- Pneumatic arms;
- Adjustable support buffers.

LOAD CAPACITY	3000 kg
LENGTH	1670 mm
WIDTH	700 mm
LIFTING HEIGHT	970 mm



PONYBENCH PR PLUS

Electro-hydraulic lift with:

- Control Box;
- Wheel-lifting platforms.

LOAD CAPACITY	2800 kg
LENGTH	3500 mm
WIDTH	1900 mm
LIFTING HEIGHT	1660 mm





Spanesi S.p.A.

Via Praarie 56/II - 35010

Cavino di San Giorgio
delle Pertiche (PD)

Tel. +39 049 933 32 11

e-mail: info@spanesi.it