



**Wieländer+Schill**<sup>®</sup>  
Professionelle Karosserie-Spezialwerkzeuge

# WS **Xpress 800**



# WS XPress 800<sup>®</sup>



800 100 kN  
bar

**XPress 800** with blind rivet adapter BR 20



*We want to make it  
easier for you!*

**XPress 800** with blind rivet adapter BR 50



**XPress 800** with blind rivet nut adapter BRN 50



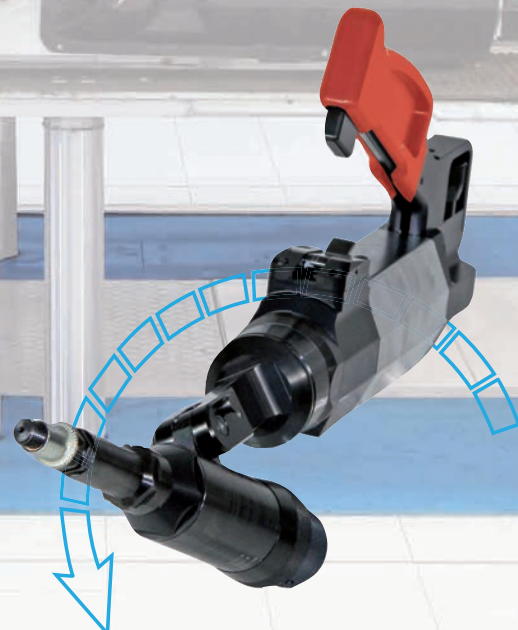
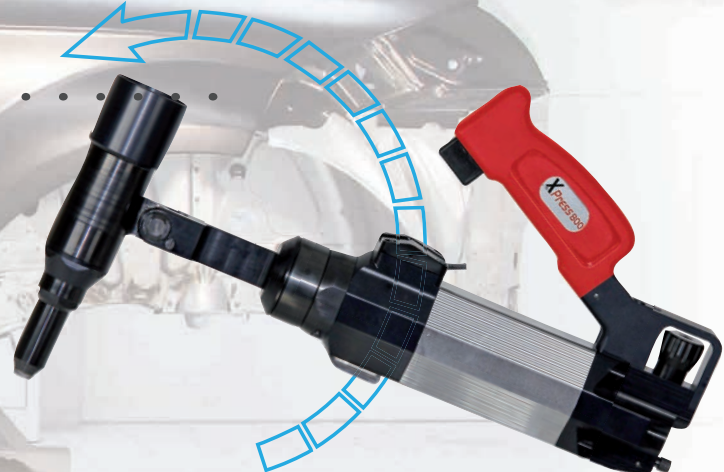
# Modular and Flexible

innovative#.....

.....riveting.#\_tool.



modular\_#system.....



..self\_  
.piercing..



#....rivets



## Module1

C-arm GC 80/40  
item N° 700070



# Many Applications

flow-form#

...rivets

..aluminium.#.



#...steel...

## Module 2

C-arm GC 80/120  
item N° 700071

## Module 4

C-arm GC 140/240  
item N° 700072

# Accessibilitiy



pop#rivets...



## Module 4

blind rivet adapter BR 20  
raction force 20 kN  
weight 1 kg  
item N° 700100



## Module 5

blind rivet adapter BR 50  
traction force 50 kN  
weight 1,5 kg  
item N°. 700101



## Module 9

**NEW**

blind rivet adapter BR 80  
traction force 80 kN  
weight 2,6 kg  
item N°. 700112

blind. ..rivets#



blind

...rivet#nuts



## Module 6

blind rivet nut adapter BRN 50  
fraction force 50 kN  
weight 1,65 kg  
item N° 700III (Set)



Tension bolts for blind rivet nuts  
M4, M5, M6, M8, M10 and M12

# PushPull



## Module 7

Unique pullback cylinder  
with 10 tons blanking force.  
Item N° 700I05



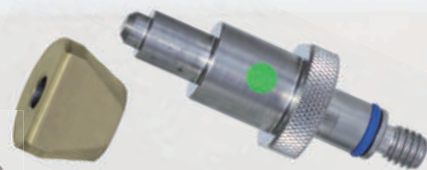


## Module 8

tool boxes with  
 pressing-out awls  
 blanking tools  
 calibration tools  
 stamps  
 die-plates  
 back shaping tools  
 riveting tools  
 blanking bits  
 for all car  
 manufacturer

pressing-out....

full blanking &...#



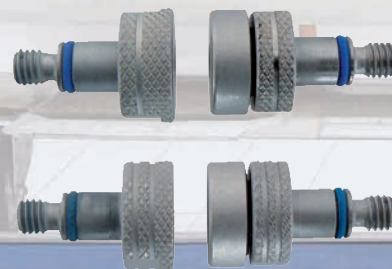
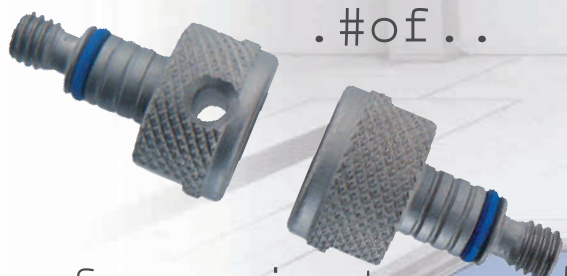
#....rivets..



..calibrating.

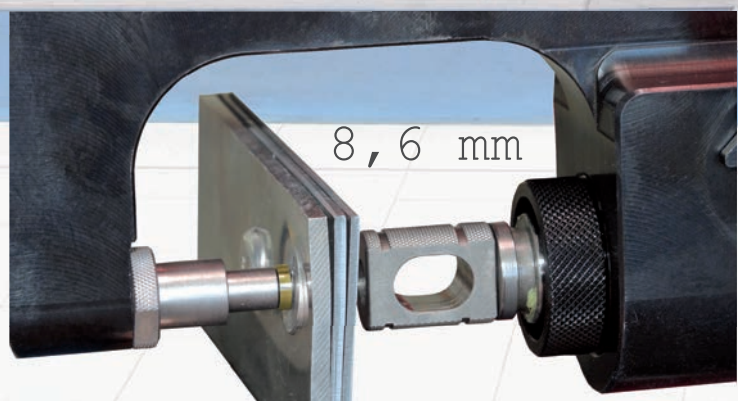
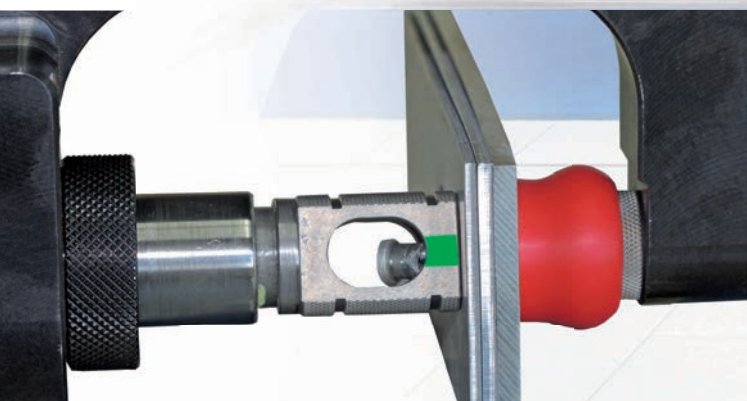
pressing....

..#of..



flow\_form\_rivets....#

self\_piercing\_rivets..



8,6 mm



# Easy Applications

## **XPress 800<sup>®</sup>** **POWER Control System**

- ✓ Pressure Regulation Valve
- ✓ Speed Regulation

## **XPress 800<sup>®</sup>** **Quick STOP LEVER**

with this STOP key you can stop advancing the connected tool for possible corrections without releasing the pressure from the pump.

## **XPress 800<sup>®</sup>** **QUICK Lock / Coupling**

### Technical Data

Hydraulic OIL - permitted	Hydraulic oils recommended DIN 51524 Type HPL 22 - HLP 36
Viscosity OIL	22 - 36 mm <sup>2</sup> /s at 40°C approx.
Capacity OIL	90 cm <sup>3</sup>
Vibration	< 2,5 m/s <sup>2</sup> ISO/FDIS B662-11
Air pressure max.	6 bar / 87 psi
Compressed air	Quality class 2 (ISO 8573-1)
Temperature	5 - 50 C° / 41 - 122°F
Noise	75 dB (A) LPAI
Vibration	< 2,5m/s <sup>2</sup> (ISO/FDIS B662-11)

## XPress 800 Basic SET

Modular riveting system with innovative pressure control for:

- Self piercing rivets
- Flow-Form-Rivets
- Punching and Calibration

Scope of supply:

- 1 x XPress 800 Power Pack
- 1 x Short stroke cylinder SSC35/25
- 1 x C-arm GC 80/40
- 1 x Tool Box **RS-03**
- 1 x Transportation case
- 1 x Instruction manual



 1 Set Item N° 700000

## XPress 800 PushPull - MB I

Modular riveting tool with unique pullback cylinder with **100 kN** clamping force.

- Self-Piercing-Rivets
- Flow-Form-Rivets
- Back shaping, full punching up to 8,6 mm metal sheets
- Punched hole calibration

Scope of supply:

- 1 x XPress 800 Power Pack
- 1 x PushPull cylinder PP 90
- 1 x C-arm GC 80/40
- 1 x Tool Box **RS-07**
- 1 x Transportation case
- 1 x Instruction manual



 1 Set Item N° 700003

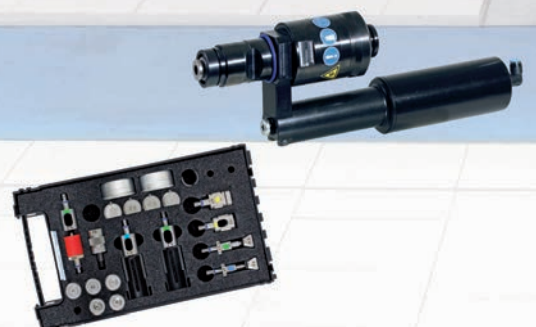
## PushPull Upgrad Kit

Modular riveting tool with unique pullback cylinder with **100 kN** clamping force. for riveting tool XPress 800.

- Self-Piercing-Rivets
- Flow-Form-Rivets
- Back shaping, full punching up to 8,6 mm metal sheets
- Punched hole calibration

Scope of supply:

- 1 x PushPull Rückzug-Zylinder PP 90
- 1 x Tool Box **RS-07**
- 1 x Instruction manual



 1 Set Item N°. 700004

# Modular Riveting System

## XPress 800 Standard SET

Modular riveting system with innovative pressure control for:

- Self-Piercing-Rivets
- Flow-Form-Rivets
- Blind rivets
- Punching and Calibration

*Scope of supply:*

- 1 x XPress 800 Power Pack
- 1 x Short stroke cylinder SSC35/25
- 1 x C-arm GC 80/40
- 1 x C-arm GC 80/120
- 1 x C-arm GC 140/240
- 1 x Tool Box **RS-03**
- 1 x Transportation case
- 1 x Instruction manual

 1 Set Item N° 700001




## XPress 800 PushPull - MB 2

Modular riveting tool with unique pullback cylinder with **100 kN** clamping force.

- Self-Piercing-Rivets
- Flow-Form-Rivets
- Back shaping, full punching up to 8,6 mm metal sheets
- Punched hole calibration

*Scope of supply:*

- 1 x XPress 800 Power Pack
- 1 x PushPull cylinder PP 90
- 1 x C-arm GC 80/40
- 1 x C-arm GC 80/120
- 1 x C-arm GC 140/240
- 1 x Tool Box **RS-07**
- 1 x Transportation case
- 1 x Instruction manual

 1 Set Item N° 700006

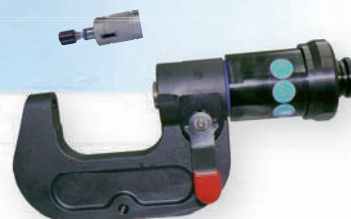


## PushPull Add-on Kit

*Scope of supply:*

- 1 x Short stroke cylinder SSC35/25
- 1 x C-arm GC 80/40
- 1 x Spacing adapter with nut FI - 32 mm

 1 Set Item N° 700009



# XPress 800

## XPress 800 Full SET

Modular riveting system with innovative pressure control for:

- Self-Piercing-Rivets
- Flow-Form-Rivets
- Blind rivets
- Punching and Calibration
- Blind-Rivet-Nuts

*item supplied:*

- I x XPress 800 Power Pack
- I x Short stroke cylinder SSC35/25
- I x Blind rivet adapter BR 20
- I x Blind rivet adapter BR 50
- I x Blind rivet nut adapter BRN 50
- I x C-arm GC 80/40
- I x C-arm GC 80/120
- I x C-arm GC 140/240
- I x Tool Box [RS-03](#)
- I x Tool Box [RS-04](#)
- I x Transportation case
- I x Instruction manual



 I Set Item N° 700002

## XPress 800 PushPull Full Set

Modular riveting tool with unique pullback cylinder with **100 kN** clamping force.

- Self-Piercing-Rivets
- Flow-Form-Rivets
- Back shaping, full punching up to 8,6 mm metal sheets
- Punched hole calibration

*item supplied:*

- I x XPress 800 Power Pack
- I x PushPull cylinder PP 90
- I x Blind rivet adapter BR 20
- I x Blind rivet adapter BR 50
- I x Blind rivet nut adapter BRN 50
- I x C-arm GC 80/40
- I x C-arm GC 80/120
- I x C-arm GC 140/240
- I x Tool Box [RS-04](#)
- I x Tool Box [RS-07](#)
- I x Transportation case
- I x Instruction manual




 I Set Item N° 700005

## XPress 800 face protector

A face protection visor without compromise which satisfies 100% all safety and ergonomic requirements.

- Patented secure attachments
- Breathable, removable and washable head band
- Simple and quick adjustment
- Wide field of view and better protection
- Easy to open and close visor with click stops



 1 pc. Item N° 881031

## Body shop trolley for XPress 800

- Beech top, size 25 mm
- Full pullout with soft-closing
- Integrated handle bars
- 2 fixed and 2 guide rolls
- Dimensions 770 x 650 x 795mm

# TROLLEY



*The tools pictured are not content of delivery!*



 1 pc. Item N° 700010

# WS XPress 800®

## XPress 800 Power Pack pneumatic-hydraulic

The power pack is a pneumatic – hydraulic pressure intensifier with two step high pressure pump. With an input of 6 bar air pressure it generates an output of 800 bar working pressure.


Length	259 mm	Weight	2,65 kg
Wide	56 (82) mm	PB max.	800 bar
Height	213 mm	OIL Volume	80 cm <sup>3</sup>

 1 pc. Item N° 700050



## XPress 800 Short stroke cylinder

Length	144 / 169 mm	Stroke	35 / 25 mm
Diameter Ø	56 mm	Pressure max.	77 kN
PB max.	800 bar	Weight	1,4 kg

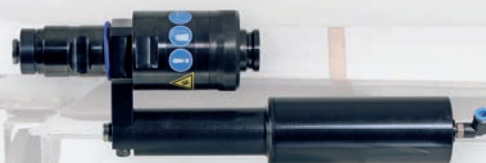
 1 pc. SSC 35/25 Art.-Nr. 700060



## PushPull PP 90 cylinder

Length/Height	312 / 144 mm	Stroke max.	16 mm
Diameter Ø	60 mm	F max.	100 kN
PB max.	800 bar	Weight	2,6 kg

 1 pc. Item N° 700105



## Service Kit EB-XP 800

### De-airing and re-filling devices for hydraulic Power Pack

*item supplied:*

- 1 x Special pump oiler (250ml)
- 1 x Plug-in coupling
- 1 x Re-fill plug connection
- 1 x Hose, transparent 6x4 mm
- 1 x Hose, transparent 8x5 mm
- 1 x Hydraulic oil HLP22 / VPE 250ml

 1 pc. Item N° 700334




# Modular Riveting System

## C-arms SET

item supplied:


- 1 x C-arm GC 80/120
- 1 x C-arm GC 140/240
- 1 x Extension 93 mm
- 1 x Transportation case



 1 set Item N° 700080

## C-arm 80/40

For self-piercing and flow-form rivets  
Working range 80 x 40 mm  
Weight 2 kg  
with safety bolt

 1 pc. Item N° 700070



## C-arm 80/120

For self-piercing and flow-form rivets  
Working range 80 x 120 mm  
Weight 4 kg  
with safety bolt


 1 pc. Item N° 700071

OEM  
Approval



## C-arm 140/240

For self-piercing and flow-form rivets  
Working range 140 x 240 mm  
Weight 10 kg  
with safety bolt and extension 93 mm

 1 pc. Item N° 700072

OEM  
Approval



## Tool Box RS-03 - Type BMW

9-part riveting tool kit with extraction mandrels and die-plates, planking and calibration mandrels, blanking and calibration dies, die-plates and closing head for rivets 3 mm / 5 mm, spacing adapter with nut and assembling tools.

Stamps and dies are fitting for C-arm GC 80/40, GC 80/120 and GC 140/240

 1 kit item N° 700200



## Pressing-out tool

BMW Set 1 - A1 + A2  
ID colour: blue

 1 set item N° 700221



## Self-piercing-rivets 3 mm


BMW Set 2 - D1 + D2  
ID colour: blue

 1 set Item N°. 700227



## Self-piercing-rivets 5 mm

BMW Set 3 - E1 + E2  
ID colour: blue

 1 set item N° 700226




## Spacing adapter with nut

Type F 1 - 32 mm  
ID colour: blue

 1 pc. item N° 700220



## Threaded sleeve M6 (for Type F 1)

 1 pc Item N° 700786



## Assembling tools

 1 pair item N° 700299





# Riveting Tools

## Self-Piercing-Rivets

item N°	dimensions / mm	material (coating)	quant.
777218	Rivet 3,3 x 3,5	steel (ZnSnAl)	100 pcs
777200	Rivet 3,3 x 4,0	steel (ZnSnAl)	100 pcs
777225	Rivet 3,3 x 5,0	steel (ZnSnAl)	100 pcs
777222	Rivet 3,3 x 6,0	steel (ZnSnAl)	100 pcs
777202	Rivet 5,3 x 4,0	steel (ZnSnAl)	200 pcs
777219	Rivet 5,3 x 5,0	steel (ZnSnAl)	100 pcs
777221	Rivet 5,3 x 6,0	steel (ZnSnAl)	100 pcs
777224	Rivet 5,3 x 6,5	steel (ZnSnAl)	100 pcs
777226	Rivet 5,3 x 7,0	steel (ZnSnAl)	100 pcs
777223	Rivet 5,3 x 7,5	steel (ZnSnAl)	100 pcs
777201	Rivet 5,3 x 8,0	steel (ZnSnAl)	100 pcs



## RivBox - rivets assortment for XPress 800

item supplied:

Self-Piercing-Rivet	3,3 x 3,5 mm		100 pcs
Self-Piercing-Rivet	3,3 x 4,0 mm		100 pcs
Self-Piercing-Rivet	5,3 x 4,0 mm		200 pcs
Self-Piercing-Rivet	5,3 x 5,0 mm		100 pcs
Self-Piercing-Rivet	5,3 x 6,0 mm		100 pcs
Blind Rivet BM	4,0 x 10,0mm		20 pcs
Blind Rivet BM	4,0 x 12,0mm		20 pcs
Blind Rivet Alu	5,0 x 6,0 mm		40 pcs
Blind Rivet Alu	6,0 x 8,0 mm		40 pcs
RIBE Blind Rivet	6,5 x 12,5 mm		25 pcs
Flow-Form-Rivet MB	5,6 x 8,1 mm	A1	10 pcs
Flow-Form-Rivet MB	5,6 x 9,3 mm	A2	10 pcs
Flow-Form-Rivet MB	5,6 x 10,6 mm	A3	10 pcs
Flow-Form-Rivet MB	5,6 x 8,1 mm	S1	10 pcs
Flow-Form-Rivet MB	5,6 x 9,3 mm	S2	10 pcs
Flow-Form-Rivet MB	5,6 x 10,6 mm	S3	10 pcs
Blind rivet nut St	M6 x 9 x 15,5 mm		25 pcs
Blind rivet nut St	M8 x 11 x 17 mm		10 pcs
Blind rivet nut St	M12 x 12 x 17,5 mm		10 pcs
1 x W+S Special center punch with 2 modes for rivets			



1 box item N° 777281

## Blind Rivet Nut Adapter BRN 50 SET

The module BRN50 is a blind rivet nut module with compact size and a maximum traction force of 50 kN. With the module BRN50 all types of blind rivet nuts from size M4 to M12 can be processed. You can limit the traction force and traction stroke.

Furthermore with the module BRN50 and traction pliers you can extract impact bolts from the metal sheet.

item supplied: Blind rivet nut adapter BRN 50 + Tool Box **RS-04**

Length	241 mm	Stroke range	0-16 mm
Wide	56 mm	Radius / Angle	120°
Pressure max	50 kN	Interlock steps	30°
Stroke	16 mm	Weight	1,65 kg

 1 kit item N° 700III



Tension bolts M4-M5-M6-M8-M10-M12

## Blind Rivet Nuts

item N°	description / mm	material	quant.
777203	blind rivet nut M4 6x11,0	steel	25 pcs
777204	blind rivet nut M5 7x11,5	steel	25 pcs
777205	blind rivet nut M6 9 x15,5	steel	25 pcs
777206	blind rivet nut M8 11x17,0	steel	10 pcs
777207	blind rivet nut M10 12x17,5	steel	10 pcs
777208	blind rivet nut M12 15,9x23	steel	5 pcs



## Blind Rivet Nut Adapter BRN 50

Description and mode of operation see above (Art N° 700III)


item supplied:  
Blind rivet nut adapter BRN 50

 1 pc. item N° 700II0



## Tool Box RS-04


6-part tension bolts kit for blind rivet nuts (fitting for BRN 50) consisting of M4, M5, M6, M8, M10 and M12

 1 set item N° 700201



### Tension bolt M4


gunmetal finished , Length= 114 mm

 1 pc. item N° 700324



### Tension bolt M5


gunmetal finished , Length= 114 mm

 1 pc. item N° 700325



### Tension bolt M6


gunmetal finished , Length= 114 mm

 1 pc. item N° 700326



### Tension bolt M8


gunmetal finished , Length= 114 mm

 1 pc. item N° 700327



### Tension bolt M10


gunmetal finished , Length=114 mm

 1 pc. item N° 700328



### Tension bolt M12


gunmetal finished , Length= 114 mm

 1 pc. item N° 700305



## Tension bolt for riveting screws

M6 - Type: metric thread


 1 pc. item N° 700120



**NEW**

## Tension bolt for riveting screws - Self-Lock

Ø 6 mm - Type: self-lock (pine tree thread)

 1 pc. item N° 700121



## Tool Box RS-05 - Type Audi

30-part riveting tool kit with pressing-out awl and die-plates for self-piercing-rivets 3,2, 5,0, 5,5, 6,5 and 7,5 mm, rivet-hole blanking for 8 mm-drilled hole, rivet-hole blanking for blind rivet Ø 4,8 mm, back shaping metal sheets, rivet-hole blanking for full rivets 6,0 mm, pressing full rivets 4 and 6 mm, pressing self-piercing-rivets 3,2 and 5,5 mm, spacing adapter with nut and a pair of assembling tools.

The detailed description of the repair process and application please take from the repair manual of the respective car manufacturers.

 I kit item N° 700202



## Pressing-out self-piercing-rivet 3,2 mm

**Audi Set 1** - D1 + D2

ID colour: red



 I set item N° 700238

## Pressing-out self-piercing-rivet 3,2 mm

**Audi Set 2** - D2 + D3

ID colour: red



 I set item N° 700239

## Pressing-out self-piercing-rivet 5,0 mm

**Audi Set 4** - D3 + D5

ID colour: red



 I set item N° 700241

## Pressing-out self-piercing-rivet 5,0 mm

**Audi Set 5** - D4 + D5

ID colour: red



 I set item N° 700242

## Full blanking Ø 8,0 mm drilled hole for welding combination

**Audi Set 6** - D5 + D12

ID colour: red



 I set item N° 700243

## Rivet-hole blanking for blind rivet Ø 4,8 mm

**Audi Set 7** - D6 + D7

ID colour: red




 I set item N° 700244

## Back shaping metal sheet

**Audi Set 8** - D8 + D8

ID colour: red




 I set item N° 700245

## Pressing full rivets 4,0 mm

**Audi Set 9** - D8 + D9

ID colour: red



 I set item N° 700246

## Punching + stamping full rivets Ø 4,0 mm

**Audi Set 10** - D10 + D11

ID colour: red

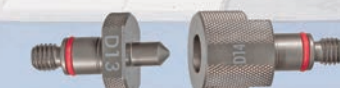


 I set item N° 700247

## Pressing-out self-piercing-rivet 5,3 x 7,5 mm

**Audi Set 11** - D13 + D14

ID colour: red



 I set item N° 700228

## Back shaping metal sheet

**Audi Set 12** - D17 + D17


ID colour: red



 I set item N° 700231

## Rivet-hole blanking full-rivet Ø 6,0 mm


**Audi Set 13** - D15 + D16  
ID colour: red

 1 set item N° 700230



## Setting self-piercing-rivet 5,3x5,5 mm


**Audi Set 19** - S6 + S7  
ID colour: red

 1 set item N° 700236



## Pressing full rivets 6,0 mm


**Audi Set 14** - D17 + D18  
ID colour: red

 1 set item N° 700231



## Setting self-piercing-rivet 5,3x6,5 mm


**Audi Set 20** - S6 + S8  
ID colour: red

 1 set item N° 700237



## Pressing-out self-piercing-rivet 3,2 mm


**Audi Set 15** - S1 + D2  
ID colour: red

 1 set item N° 700232



## Spacing adapter with nut - 32 mm


Type F I  
ID colour: red

 1 pc. item N° 700220




## Setting self-piercing-rivet 3,2 mm

**Audi Set 16** - S2 + S3  
ID colour: red

 1 set item N° 700233




## Threaded sleeve M6 (for Type F I)

 1 pc. item N° 700786




## Pressing-out self-piercing-rivet Ø5,3 x5,5 mm

**Audi Set 17** - S4 + D5  
ID colour: red

 1 set item N° 700234



## Assembling tools

 1 pair item N° 700299



## Pressing-out self-piercing-rivet 5,3 x6,5 mm

**Audi Set 18** - S5 + D5  
ID colour: red

 1 set item N° 700235



### Tool Box RS-06 - Type JLR


11-part riveting tool kit with pressing-out awl and die-plates, tools for setting self-piercing-rivets Ø 5,0 mm, pressing full rivets, spacing adapter with nut and a pair of assembling tools.

The detailed description of the repair process and application please take from the repair manual of the respective car manufacturers.

 1 kit item N° 700203

### Pressing-out rivets - short awl

JLR Set 1 - A1 + A0  
ID colour: green

 1 set item N° 700258



### Setting self-piercing-rivets 4,7 mm

JLR Set 2 - E1 + E4  
ID colour: green

 1 set item N° 700229



### Setting self-piercing-rivets 5,2 mm

JLR Set 3 - E3 + E4  
ID colour: green

 1 set item N° 700249



### Pressing full rivet 6 mm

JLR Set 4 - J1 + J1  
ID colour: green

 1 set item N° 700248



### Spacing adapter with nut - 32 mm

Typ F1  
ID colour: green

 1 pc. item N° 700220



### Assembling tools

 1 pair item N° 700299



## Tool Box RS-07 - Type MB

26-part riveting tool kit for riveting four-form-rivets (FFR) 6,0 and 8,0 mm, pressing-out aawl (PU) for self-piercing-rivets, back shaping rivet button heat, blanking and calibration Ø 6 and 8 mm, spacing adapter 26 mm, PushPull coupling and a pair of assembling tools.


The detailed description of the repair process and application please take from the repair manual of the respective car manufacturers.



 1 kit item N° 700205

### Full-Punch-Riveting


**MB Set 8** - V1 + V2 4 mm  
Punch die /Closing head die  
ID colour: yellow

 1 kit item N° 700350




### Back shaping, blanking and calibration

**MB Set 4** - K1 + K2 6 mm  
Back shaping aawl and stamp  
ID colour: blue

 1 set item N° 700348

**MB Set 5** - K3 + K4 8 mm  
Back shaping aawl and stamp  
ID colour: blue + green


 1 set item N° 700349



### Rivet-hole blanking and calibration 6 mm

**MB Set 6**  
Blanking stamp B7 (for blanking bits)  
Blanking stamp B3  
Counter bracket G1  
Die-plate B4


ID colour: blue

 1 set item N° 700352



### Rivet-hole blanking and calibration 8 mm

**MB Set 7**  
Blanking stamp B8 (for blanking bits)  
Blanking stamp B5  
Counter bracket G2  
Die-plate B6


 1 set item N° 700353



Identifying colour: blue + green

### Blanking die-plate 6 mm


**MB - B4**  
ID colour: blue

 1 pc. item N° 700264



### Blanking die-plate 8 mm


**MB - B6**  
ID colour: blue + green

 1 pc. item N° 700270
















### Pressing-out aawl with PU-spring for SP-rivets

**MB - A4**  
ID colour: blue

 1 pc. item N° 700341



Flow-Form-Rivet S0 item N° 777232	6 mm	
Flow-Form-Rivet S1 item N° 777212	6 mm	
Flow-Form-Rivet S2 item N° 777213	6 mm	
Flow-Form-Rivet S3 item N° 777214	6 mm	
Flow-Form-Rivet S4 item N° 777233	6 mm	
Flow-Form-Rivet S5 item N° 777234	6 mm	
Flow-Form-Rivet S6 item N° 777235	6 mm	
Flow-Form-Rivet S08 item N° 777260	8 mm	
Flow-Form-Rivet S18 item N° 777262	8 mm	
Flow-Form-Rivet S28 item N° 777262	8 mm	
Flow-Form-Rivet S38 item N° 777263	8 mm	
Flow-Form-Rivet S48 item N° 777264	8 mm	
Flow-Form-Rivet S58 item N° 777265	8 mm	
Flow-Form-Rivet S68 item N° 777266	8 mm	


### Riveting flow-form-rivets 6,0 mm

Al, A2 and A3 / S0, S1, S2, S3, S4, S5 and S6

**MB Set 1 - C1 + C2**

ID colour: blue



 1 set item N°700340


### Riveting flow-form-rivets 8,0 mm

S28, S38, S48, S58 and S68

**MB Set 2 - C3 + C4**

ID colour: blue



 1 set item N° 700338


### Riveting flow-form-rivets 8,0 mm

S08 und S18

**MB Set 3 - C5 + C4**

ID colour: blue




 1 set item N° 700339




### Spacing adapter 26 mm

**MB - F3**

ID colour: non



 1 pc. item N° 700337


Flow-Form-Rivet item N° 777209	Al	6 mm	
Flow-Form-Rivet item N° 777210	A2	6 mm	
Flow-Form-Rivet item N° 777211	A3	6 mm	

### Blanking bits 6mm

**MB SKR 6 mm**

Identifying colour: dark grey




 50 pcs. item N° 700294

### Blanking bits 8mm

**MB SKR 8 mm**

Identifying colour: dark grey



 50 pcs. item N° 700296

### Assembling tools



 1 pair item N° 700299

### PushPull coupling



 1 pc. item N° 700280




## Blind Rivet Adapter BR 20

The blind rivet module BR20 is at the moment the smallest tool on the market for processing blind rivets and blind rivet bolts.

With the module BR20 you can set all blind rivets with a shaft diameter from 2 to 4.2 mm and a maximum traction force of 20 kN.

Length	100 mm	Radius / Angle	120°
Wide	56 mm	Interlock steps	30°
Pressue max	20 kN	Weight	1 kg
Stroke	22 mm		

 1 pc. incl. 4 rivets bits item N° 700100




OEM Approval

## Blind Rivet Adapter BR 50

The module BR50 is a blind rivet module with compact size and a maximum traction force of 50 kN. This module does have exchangeable heads and a collection container for the extracted shafts of the blind rivets. With the module BR50 you can set all blind rivets with a shaft diameter from 2 to 5 mm and a maximum traction force of 50 kN.


Length	225 mm	Radius / Angle	120°
Wide	56 mm	Interlock steps	30°
Pressue max	50 kN	Weight	1,5 kg
Stroke	25 mm		

 1 pc. incl. 6 rivets bits item N° 700101




OEM Approval

## Extension for BR50 - 100mm

 1 pc. item N° 700150



## Extension for BR50 - 150mm

 1 pc. item N° 700151



## Blind Rivet Adapter BR 80

The module BR80 is a blind rivet module with compact size and a maximum traction force of 80 kN.


With the module BR80 you can set all blind rivets with a shaft diameter from 6,5 mm and a maximum traction force of 80 kN.



## Tool Box Mouth bits

Mouth bits are fitting for blind rivet adapter BR20 and BR50  
item supplied:


- 1 x I7/32 - bit-Ø 3,2 mm
- 1 x I7/36 - bit-Ø 3,6 mm
- 1 x I7/40 - bit-Ø 4,0 mm
- 1 x I7/45 - bit-Ø 4,5 mm

 1 set item N° 700204



## Mouth bits Ø 4,5 B

for RIBE blind rivets

 1 pc. item N° 700523




## Mouth bits Ø 4,8 B

for RIBE blind rivets

 1 pc. item N° 700522


## Mouth bits Ø 3,2 C

for blind rivets - application area: car roof rail

 1 pc. item N° 700524


## Mouth bits Ø 3,6 C

for blind rivets - application area: car roof rail

 1 pc. item N° 700525

## Mouth bits 3-AL

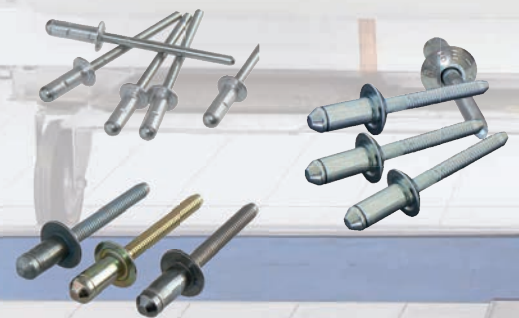
for blind rivets  
with extra long tension shaft

 1 pc. item N° 700532



## Blind Rivets

item N°	measure / mm	quality	quantity
777227	Blind rivet 4 x 6	aluminium	40 pcs
777228	Blind rivet 5 x 6	aluminium	40 pcs
777229	Blind rivet 6 x 8	aluminium	40 pcs
777230	Blind rivet RIBE 6,5 x 12,5	zinc coated	25 pcs
777215	Blind rivet AUDI 6,5 x 15	steel	10 pcs
777216	Blind rivet BMW 6,5 x 14	steel	10 pcs
777217	Blind rivet BMW 6,5 x 16	steel	10 pcs




## Temporary Fastener

item N°	measure / Ø	colour	quantity
577108	2,5 mm	blau	20 pcs
577104	4,1 mm	gelb	20 pcs
577109	4,7 mm	grün	20 pcs
577106	6,0 mm	schwarz	30 pcs
577107	6,35 mm	silber	20 pcs




## XPress 800 face protector

 1 pc. item N° 881031



## W+S Special center punch 2F

With two applications for self-piercing rivets

 1 pc. item N° 628006



## TIN special drill bits for rivets

4,2 mm item N° 617221

6,7 mm item N° 617228

 1 pc.



## BTR / BOR Drill bits

Ø 3,5 mm, 70mm, 3-edge cutter item N° 620012


Ø 6,7 mm, 70mm, special sharpening item N° 620040

 1 pc.



## Carbide metal drill bit


Ø 6,7 x 49 mm, 3-edge cutter, piston 8 mm

 1 pc. item N° 627010




## Belt grinder pneumatic

Grinding belt grain 80

 1 pc. item N° 671001




## Body chisel with handle

 1 pc. item N° 512001



## Scraper for undercoating

 1 pc. item N° 541010





sb-04/2018 Misprint, errors and revisions to be reserved. © Wieländer+Schill



**Wieländer+Schill**<sup>®</sup>  
Professionelle Karosserie-Spezialwerkzeuge

Neue Wiesen 8 D-78609 Tuningen

Tel. +49 (0)7464 9898 0

Fax +49 (0)7464 9898 289

E-Mail [info@wielanderschill.com](mailto:info@wielanderschill.com)

[www.wielanderschill.com](http://www.wielanderschill.com)

Problemlösung Service Schulung Leihgerät im Reparaturfall Leasing